

# Guyra Gazette

Wednesday March 6, 2019

Circulation 1680

P: 6779 2132

E: news@gala.org.au, advertising@gala.org.au

www.gala.org.au/guyra-gazette/

## VOTE YES FOR GUYRA

The Save and Grow Guyra group have been a bit quiet of late, but that doesn't mean they have given up. The group, which grew out of opposition to the forced amalgamation of Guyra Shire with Armidale Dumaresq, are stepping up their fight in the lead up to the NSW State election.

They say there is a huge chance of a change of government, which will mean that Guyra will be given a choice about de-amalgamation as promised by all parties except the current Liberal/National government.

Spokesperson for the group, Gordon Youman, said that what really needs addressing

is the cutbacks in Federal Assistance Grants and cost shifting which has been taking place in local government.

"We want politicians and councillors to start addressing the real issues of councils not being viable," Mr Youman said. "Rate pegging has got nothing to do with it - funding has been cut back and the bush is being neglected - it has got to stop because it is going to kill rural communities."

"This is not just about forced mergers - we are part of a larger fight which is about the survival of all rural communities."



STILL FIGHTING: Theo Spann, Gordon Youman and Bud Sweeney

Continued page 3>>>



### Guyra CWA Evening Branch

invites you to a

## High Tea

Let's celebrate NSW Women's Week

Saturday, 16<sup>th</sup> March at 11.00am

Juneils Cafe, Bradley Street Guyra

### Inspirational Guest Speakers

● Marni Turner (Registered Psychologist)  
"Mental Health for Women in Rural Areas"

● Kylie Woods  
"T1 Diabetes - The Indiscriminate Kind"

Cost: \$18 for High Tea  
(drinks available to purchase)

RSVP: Wednesday, 13<sup>th</sup> March

To reserve your tickets phone/text:

Anne ~ 0413 595 353

Aileen ~ 0417 079 307

Leonie ~ 0408 207 664



## Healthy Kids Happy Kids Day

• WITH SPECIAL GUEST 'SIMON MELLOR' •

3 - 5 YEAR OLDS | FREE ENTRY & BBQ LUNCH

### WHERE & WHEN

Guyra Library  
WEDNESDAY  
13th March 2019

### 2 SESSIONS AVAILABLE

Session One: 10am  
Registration from  
9:30am  
Session Two: 12pm  
Registration from  
11:30am

### BOOKINGS ESSENTIAL

Contact Guyra Child & Family 6738 4000  
Parent/Carer to accompany child at the event



ARMIDALE





**23,000Ltr  
Tank**

GLOBAL QUALITY PRODUCT WARRANTY  
**10**  
YEAR

**Catch Store Environment**  
Create A Greener Environment

**2000Ltr - 25,000Ltr  
Rainwater Tanks**

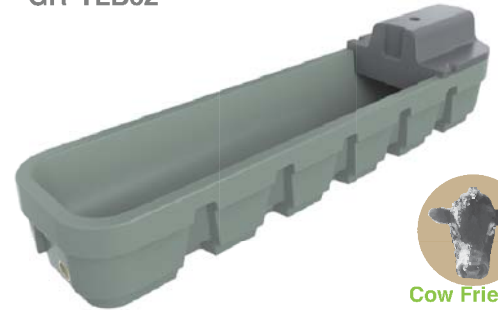
**FREE DELIVERY**  
With in 400kms of Factory



**300Ltr Ballast Trough**  
GR-TLB30



**620Ltr Ballast Trough**  
GR-TLB62



**830Ltr Ballast Trough**  
GR-TLB83



**Wide Range Cartage tanks for all applications**

**3000Ltr Cartage Tank**

**10000Ltr Cartage Tank**

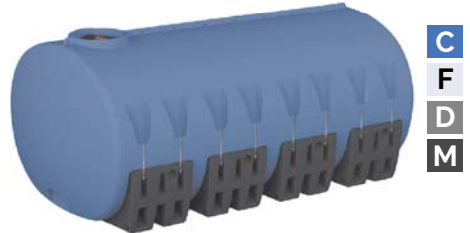
**13000Ltr** **BIGFOOT**



**C**  
**F**  
**D**  
**M**



**C**  
**F**  
**D**  
**M**



**C**  
**F**  
**D**  
**M**

**C** ARTAGE TANK **F** ERTILIZER TANK **D** IESEL TANK **M** OLASSES TANK

14 Nan's Road, Helidon Spa.  
QLD. 4344 (Toowoomba)  
P: (07) 4697 7099  
F: (07) 4697 7706

[www.globaltanks.com.au](http://www.globaltanks.com.au)  
**FREE CALL:**  
**1800 666 333**

# Concert for Tingha

Tingha Veterans will host a fundraising concert for victims of the recent bushfires. The 'Concert for Tingha' will see artists from around the district take the stage on Saturday, March 9 from 10am.

Retro Rockers, Little Phoenix, Rattle Snake Willy, Buster Wilson, Crooked Tree, JJ and Biggles will entertain attendees throughout the day.

The event is a joint effort between the Tingha Veterans, who are organising the fundraising, and Pete and Vicky Denoven, who are coordinating the music. There will be an all-day barbecue, raffles, auctions, prizes and great fun to lift spirits.

The following day, on Sunday, March 10th, a Poet's breakfast will be held from 8am. Saturday's event will cost \$10 and Sunday's event will cost \$5.

All funds raised will be donated to Tingha residents who lost their homes in the fires. Signs will be erected along Old Mill Road for those wishing to attend the events.

Member for Northern Tablelands Adam Marshall and Armidale Regional Mayor Simon Murray will be attendance.

For more information, or directions, phone Bob Clark 0416 749 563 or Peter Denovan 0428 233 561.



Tingha local Peter Denovan will be among the entertainers at the concert for Tingha

>>> from page 1

"If we don't reclaim our independence now we will lose it forever."

Mr Youman acknowledges that we may already be past the point of no return following the loss of Tingha to Inverell Shire.

"We are not trying to reverse Tingha's move to Inverell, but rather give them another option. The choice they made was between Armidale or Inverell," he said.

Save and Grow Guyra will be conducting a mail out prior to the State election which will be held on March 23rd.

They are asking for people to look out in your mail for a brochure and voting slip.

The group had hoped to set up on polling day to conduct a plebiscite, however they have been thwarted by the Electoral Commission.

They are asking for the return of the voting slips on polling day, where members of the Save and Grow Guyra Group will set up to collect them.

## Level 2 water restrictions

**The Guyra Dam is now below 61%.**

**Level 2 water restrictions** are now in place for Guyra residents. Council is asking the community to be water wise and conserve.

Level	Trigger
P - Permanent	Applicable all times
1 - Low	Upper Guyra Dam level falls to 72%
2 - Moderate	Upper Guyra Dam level falls to 61%
3 - High	Upper Guyra Dam level falls to 31%
4 - Very High	Upper Guyra Dam level falls to 22%
5 - Emergency	Upper Guyra Dam level falls to 10%

For water saving tips in and around the home visit Council's website [www.armidaleregional.nsw.gov.au](http://www.armidaleregional.nsw.gov.au)

Category	Activity	Level 2 - Moderate
General watering lawns and gardens	Handheld hoses, drip irrigation, watering of new turf	2 hours & not during the heat of the day
	Sprinklers and fixed hoses	NO
Public parks, gardens and facilities	Watering vegetation	As for Level 1 but for Cat 1 only. Garden beds only for Cat 2.
Vehicle washing	Buckets	OK
	Handheld hose	2 hours & not during the heat of the day
Washing down hard surfaces	High pressure cleaner	OK
	Hand held hose	Not permitted
Private swimming pool	Filling	With Council permission > 5kL
	Topping up	OK
Council swimming pool	Lawns & surrounds	Lawn areas watered in accordance with Level 2 restrictions
	Topping up	OK
Commercial & industrial	Lawn & gardens	Hand held hoses only for 2 hours
	General use (excl lawns and garden)	OK
	Irrigating sports areas	2 hours with approved Water Management Plan

# What's HOT

**URGENTLY NEEDED** - players to get to training as soon as possible to ensure the Super Spuds can take to the field this year

**FOOTY TIPPING** starts next week.

**MARCH FOR MELANOMA** this Saturday. Starts at the Show-ground - for details check out Five Cent Friday on facebook.

# What's NOT

**NO RAIN** in sight and nothing in the forecast

**WATER RESTRICTIONS** -here's hoping the rains are on their way

## QUOTE of the week

Adopt the pace of nature. Her secret is patience

Bureau of Meteorology

# Weather

## WATCH

Guyra Hospital

Date	Day	Min	Max	Rain
26	Tues	9.7	24.1	0
27	Wed	9.6	21.6	0
28	Thurs	10.1	19.8	0
01	Fri	9.6	22.0	0
02	Sat	9.6	21.0	0
03	Sun	11.9	22.1	0
04	Mon	8.9	25.0	0

Rain this week	0mm
February rainfall	8.6mm
Rainfall YTD	108.8mm
Rainfall last YTD	147.2mm

# Learning opportunities for students

Students at Guyra Central School had the opportunity to engage in a range of learning opportunities during the Guyra Show. Principal Michelle Nicholson said that the school really appreciates the wonderful partnership that the school has with the Guyra Show Committee.

“Congratulations to the Show Committee for their incredible commitment and hard work in organising the competitions, events and activities,” Mrs Nicholson said. “Many of our staff were involved in the success of the Show, with a special mention to Mr Scott Miller and Mrs Gwyn Pearson for their commitment to the learning outcomes of our students and congratulations to Year 11 student Colleen Pearson who has been named 2019 Junior Miss Show Girl.”

Guyra Central School students competed in events and competitions throughout the show. The school also



**Above l to r:** Mr Tim Lloyd (Deputy Principal), Mrs Natasha Roberts, Mrs Joanne Cameron, Mrs Jessica Waters, Mr Wendell Sailor, Mrs Kasey Blyton, Mrs Julia Woods, Mrs Monique Reed, Mrs Michelle Nicholson

hosted a visit from Wendell Sailor prior to the Show to conduct a Rugby League training afternoon with students and the community.

After the Rugby League Clinic, Wendell took the opportunity to speak with the children about bullying and how to approach the scenario along with their responsibilities if they are being bullied

or know of anyone in this situation.

Mrs Nicholson said that she heard across the Show weekend of the generosity of ‘The Dell’ during his visit to Guyra and would like to extend the school’s appreciation to both Wendell Sailor and to Richard Post for organising this unique opportunity for our school.



### Junior sheep judging (above)

Lucinda Mayled, Harry Ray, Benjamin Stevens, Michael Looker (Guyra Central School) Ronald Boxall & Matilda Brown (O’connor Catholic College))



**Left:** Melissa Hawthorne helped Lorraine Hills at the cooking



**Right:** Lorena Tresize and Claire Flynn assisted with the needlework display

## New playground gets kids physically and mentally active

Playtime just stepped up a notch at the Guyra Preschool & Long Daycare Centre, with a new playground constructed at the centre this month.

The \$30,000 playground, constructed at the front of the Bradley Street facility, provides a more exciting and even safer play space for the approximately 60 children who attend the centre

each week. The space now includes a new in-ground sandpit, a bike track and more accessible landscaping, incorporating raised garden beds.

"Some old favourites have been retained, such as the timber boat and both cubby houses, but the improvements have included more stable foundations for both cubby houses,"

Preschool Supervisor Amanda Campbell said.

"The old playground had been well-loved in the six years since it last received a major overhaul and some of the features were starting to look a bit worn out.

"This upgrade has effectively rebuilt the entire play space, offering an opportunity to create an area which is more inviting and exciting, really stimulating the kids' curiosity."

While the front playground, one of two outdoor play areas, is used primarily by the babies and toddlers, it is often used by all the children during activities for the whole preschool.

The project has been assisted by a \$15,000 grant through the NSW Government's Community Building Partnership program.

The NSW Member for Northern Tablelands, Adam Marshall, said the preschool is a valuable asset for the Guyra community,

"Its important role in the community will be further enhanced by the playground upgrade, encouraging the children to be physically and mentally active and setting them on the path to healthy lives," Mr Marshall said.

"The project is a great example of the NSW Government's emphasis on fostering the well-being of regional communities."



Armidale Regional Council Mayor Simon Murray with children and staff at the new front playground at the Guyra Preschool & Long Daycare Centre.

### Public exhibition Draft Street Trading Policy

Council has updated its Street Trading Policy, which covers trading activities including: outdoor eating areas, displays and advertising signs, street stalls, public collections, markets, busking, spruiking and street vending vehicles.

It also manages ancillary structures such as screens, planter boxes, radiant heaters and shade structures.

The amended policy proposes to provide increased flexibility and expand on exempt activity which may be undertaken within the Local Government Area if in accordance with relevant criteria.

The draft policy is on Public Exhibition from Wednesday 6 March to Wednesday 3 April 2019. Residents and others are invited to make submissions by mail to Armidale Regional Council, 75A Rusden Street, Armidale 2350, by email to [council@armidale.nsw.gov.au](mailto:council@armidale.nsw.gov.au) or

dropped off in person to the Armidale or Guyra Offices. Submissions close Wednesday 17 April 2019 at 5pm.

### Public exhibition Draft Tourism Strategy

Council has developed a draft Tourism Strategy 2018-2020 to:

- advance the tourism industry in the Armidale region
- increase visitor numbers, overnight stays and visitor expenditure

Together, they provide economic and social benefits to the community

The draft policy is on Public Exhibition from Wednesday 6 March to Wednesday 3 April 2019. Residents and others are invited to make submissions by mail to Armidale Regional Council, 75A Rusden Street, Armidale 2350, by email to [council@armidale.nsw.gov.au](mailto:council@armidale.nsw.gov.au) or dropped off in person to the Armidale or Guyra Offices. Submissions close Wednesday 3 April 2019 at 5pm.

### Public exhibition Draft Museum Collection Management Policy

Council has updated its Museum Collection Management Policy to reflect current best practice standards in museum methodology and provide clear collection guidelines.

Council manages the Armidale Folk Museum, Armidale Bicentennial Railway Museum and the Hillgrove Rural Life & Industry Museum.

The draft policy is on Public Exhibition from Wednesday 6 March to Wednesday 3 April 2019.

Residents and others are invited to make submissions by mail to Armidale Regional Council, 75A Rusden Street, Armidale 2350, by email to [council@armidale.nsw.gov.au](mailto:council@armidale.nsw.gov.au) or dropped off in person to the Armidale or Guyra Offices. Submissions close Wednesday 3 April 2019 at 5pm.

All Public Exhibition items can be viewed at <https://yoursay.armidale.nsw.gov.au/>

## COUNCIL MEETING

The next Ordinary Council Meeting will be held on Wednesday 27 February 2019 at the Guyra Council Chambers, 158 Bradley St, from 4pm. Public welcome to attend.

### PUBLIC NOTICE - Wednesday 6 March 2019

Authorised by: CEO Susan Law, Armidale Regional Council  
PO Box 75A, 135 Rusden Street, Armidale NSW 2350. Ph: 1300 136 833 Fax: 6772 9275.  
Email: [council@armidale.nsw.gov.au](mailto:council@armidale.nsw.gov.au)



*Unleash the opportunities*

[www.armidaleregional.nsw.gov.au](http://www.armidaleregional.nsw.gov.au)

## Community Noticeboard

### Meals on Wheels

March 7th Heather Marchant  
March 8th Golf Ladies  
March 11th Michael Austin  
March 12th ARC staff  
March 13th John Mitchell

### Street Stalls

March 7th Hospital Auxiliary  
March 8th Guyra CWA  
March 14th Anglican Church  
March 15th Masonic Lodge

### Church Notices

#### St James Anglican

Sunday 9am Morning Service, 1st Sunday of the month Backwater 2pm, 3rd Sunday of the month Ben Lomond 11.30am

#### St Mary's Catholic

Saturday Mass 6pm in Guyra, Sunday 9am, 1st Sunday of month Ben Lomond, 3rd Sunday Wards Mistake, otherwise Guyra 7am Wards Mistake, 9am Guyra Father Steven O'Shea

#### St Columba's Presbyterian

Guyra Sunday 9.00am, Ben Lomond Service, first Sunday of even-numbered months, 2.00pm Rev Andrew Campbell, Ph. 0447 724 536

#### Uniting Church

Regular Sunday Service 9.30am Enq. Nancy Davidson 6779 1366

#### Seventh-day Adventist

Saturday from 10am Bible Study, 11am Divine Service. Enquiries: 6779 1587

#### Northwest Church

66 Llangothlin St, Sunday meeting 10am, Thursday 7pm Food Pantry - Fridays 1-3pm Tony Stace 0427956772.

#### Church of Freedom

10 Nincoola Street - Contact: 0421 847 973, Tuesday Prayer 6.30pm, Wed Bible Study 6.30pm Sunday Service 10am

### Service Clubs

**LIONS CLUB** dinner meetings 1st & 3rd Thursday of the month at Guyra Bowling Club, 7pm. Ph: Geoff Reeves 6779 1257

**ROTARY CLUB** dinner meetings 2nd & 4th Tuesday of the month 6pm for 6.30pm. Ph: Aileen MacDonald 0417 079 307

# GUYRA SHOW: Cooking results

There was an excellent display of cooking at the Guyra Show. The judge was Aileen Roberts from Inverell. Champion exhibit in the open section was a Chocolate Cake made by Robin Angus. Champion in the intermediate section was Patty Cakes made by Olivia Little and Millie Roberts. Champion in the primary section was a decorated cake (racing car) made by Ryan Saunders.

The men's cake section was a highlight of the Show. First and champion was a Carrot cake made by Neil Paine. Reserve was a Raspberry Torte Opera cake made by Herb McKenzie.

Other notable entries in the men's section were:

Harry Williams - Best Butter cake, Chris Sole - Most Acoholic cake, Lachlan Cullen - Richest Chocolate cake, Sam Ulrick - Chequerboard wiz, Simon Mur-



**CAKE JUDGING:** Noreen Williams, Judge Aileen Roberts and assistant Beattie Hawkins (Inverell), Heather Starr

ray - Mayor's masterpiece (Hummingbird cake), Glen Godlonton - Neatest cake, Luke Foster - Best Shearer's smoko, Dan McLennan - Two

tier creation, Gus Watters - Drought Cake (dam in the middle and no water)

*Heather Starr*

# GUYRA SHOW: Poultry results

Champion Hardfeather Large - Ryan Todd; Champion Hardfeather Bantam - Cheryl Brown; Champion Softfeather Large - John Mitchell; Champion Softfeather Bantam - Cody Perrett; Champion Pair - Cheryl Brown; Champion Junior - Billy Youman; Champion Duck - Skye Seery.

Grand Champion Fowl of Show - Ryan Todd; Reserve Champion Fowl of Show - Cheryl Brown; True Bantam Champion - Darcy & Hugo Sisson.

A special thank you to our poultry sponsors: Guyra Milling, Landmark, Guyra Fuels and Grazag.

*John Mitchell*



Hugo Sisson, Darcy Sisson, Charlie Drew

# Have your say.....

## Thanks Juniels

After spending three days on the fire line at the Tingha fires as a member of the RFS Guyra Brigade, I was de-

lighted to receive a warm welcome for my efforts from Juniels Café along with a verbal thank you for the brigade's efforts. This was

supported by a free cup of coffee for which the Guyra RFS Brigade thanks Juniels Café.

*Rick Palmer*

*Have your say Email: news@gala.org.au Mail: PO Box 170*

# Guyra Lions host regional final for Youth of the Year

Saturday, 2nd March saw the Lions Club of Guyra host the Region 4 final of the Youth of the Year which is sponsored nationally by the National Australia Bank and also proudly sponsored locally by the NAB.

Present at the dinner were Regional Chairman Colin Gadd and Lion Carolyn Gadd, Zone 7 Chairman from Walcha Lloyd Levingston and Lions Lady Pauline, Zone 8 Chairman from Inverell Tom Cattell and Lions Lady Bev. We welcomed visitors from Armidale, Danthonia, Glen Innes and Inverell.

The candidates for Youth of the Year were: Will Forsyth (Armidale Dumaresq Lions), Allie Wood (Glen Innes Lions), Evan Byrne (Glen Innes Lions), Ethan Bower (Inverell Lions) and Andrea Verena Zimmerman (Inverell MacIntyre Lions).

Judges for the event were Mayor of Armidale Regional Council, Simon Murray, Mrs Paivi Walls representing NAB and Mrs Rita Williams repre-



Verena Zimmerman, Will Forsyth, Guyra Lions President Jim Betts, Ethan Bower, Allie Wood and Evan Byrne

senting the Guyra Show Society. Interviews were held throughout the afternoon at Guyra Central School and we thank Principal Michelle Nicholson for allowing this to happen.

The public speaking part of the competition and dinner was held at the Guyra Bowling & Recreation Club where 52 mem-

bers and guests witnessed this part of the competition.

The judges had a hard time to come up with a winner as it was a close competition. At the end it was Armidale Dumaresq candidate Will Forsyth who was the winner of both the overall and public speaking. He will now move on to the District Final to

be held at Port Macquarie on 30th March. Good luck to Will.

Once again our thanks to the NAB for their ongoing sponsorship of this event and a big Thank You to Donna for catering for the Lions Club of Guyra.

**Jim Betts**  
President, Guyra Lions

## GUYRA SHOW: Jams & Preserves



There was a good number of high quality entries at this year's Guyra Show. The Grand Champion went to Lorraine Stone with a bottle of mustard pickles. The most successful exhibitor was Cody Perrett. The Junior Champion was Joshua Hortas-Berry.

I would like to thank all exhibitors for making this section successful, and particularly the juniors to give a good junior section. Also thank you to Guyra Central School for encouraging their students to enter the Show.

**Dianne Burey**



### IMPORTANT NOTICE Watch in your mail box

**What has been the result of the Guyra/Armidale forced merger over 3 years for the Guyra & Tingha communities and their future?**

We join eleven (11) other NSW Council areas campaigning to establish a credible record of "what the people say about amalgamation."

**We ask you to fill in the soon to be distributed Citizen Initiated Survey of Guyra Shire residents (one per person).**

Bring it with you when you come to vote in the State election on 23 March and find our secure box located in the vicinity of the polling places.

Our survey will be opened and counted in the presence of scrutineers to validate the numbers.

***Regain our independence or lose it forever!***  
*Tingha residents have never been given the option of getting our council back.*

**For further information:**  
contact us on Facebook, or  
Gordon Youman: 0467 202 648  
Beth White: 6733 2014

## Driest February since 1923

Guyra has experienced its driest February in almost 100 years. -

The rain total for the month of just 8.6 mm was the lowest for the month of February since 1923 which also recorded 8.6 mm.

### FEBRUARY SUMMARY

(Long term average in brackets)

Rainfall: 8.6 mm (93 mm) on 4 days

Average maximum temp: 24.8C (23.2C)

Average minimum temp: 11.8C (11.8C)

Highest: 31.7C on the 20th

Lowest maximum: 18.2C on the 24th

Lowest: 8.7C on the 25th

Frosts: 0 (0)

Sunny days: 13 (13)

Days with thunder: 2 (5)

**Source:**

<http://www.weatherarmidale.com/guyra>

# GUYRA SHOW 2019: Shearing results

A good turnout of 40 shearers for the 2019 Guyra Show, with a food contingent of local and southern shearers turning up.

## Open

1st Luke Foster (Guyra), 2nd Daniel McIntyre (Glen Innes), 3rd Jeremy Newberry (Guyra), 4th Brett Mayled (Guyra)

## Senior

1st Same Picker (Bigga), 2nd Erick Klabe (Guyra), 3rd Thomas Seaman (Bathurst), 4th Andrew Parkes (Bathurst)

## Intermediate

1st Matt Gillham (Bogabri), 2nd Byron Campbell (Glen Innes), 3rd Ewan Winter (Glen Innes), 4th Jeremy Southwell (Rye Park)

## Novice

1st Adam Campbell (Glen Innes), 2nd Heidi Anderson (Inverell), 3rd Nathan Mullins (Bathurst), 4th Nick Cumming (Inverell)

I would like to thank Geoff



OPEN SHEARING: Luke Foster, Daniel McIntyre, Jeremy Newberry and Brett Mayled

Bell for supplying the sheep, Trevor and Deidre Tarrant for carting the sheep and also Phillip Saunders for driving the truck.

Thanks to all the shearers and draggers who helped shear 330 dorset rams in half a day to raise the prize money for the Show. Many thanks to

all the sponsors and helpers who made it a very successful shearing.

*Bruce Reeves*

## Guyra Sheep & Lamb Sale

**February 27th** - The overall numbers remained steady with a decrease in lambs and an increase in sheep. The quality of the lambs was fair to very good. There were less secondary quality lambs. Despite a lack of weight in some of the young lambs to restockers they were of good quality. The regular processors were in attendance and there was increased restocker competition. The restockers were active through

most of the young lamb classes with the heavier weights mostly going to feedlots.

Demand for the better quality young lambs was strong, resulting in a dearer trend of \$5 to \$7/head. The lightest of the lambs, not deemed heavy enough for a grain ration sold to a cheaper trend. Well finished lambs in all weight classes sold to a dearer trend, most experiencing gains of around \$5/head. There were a

few well finished Merino lambs penned, they attracted strong competition from processors. The plainer condition Merino lambs, in limited supply mostly attracted restocker competition.

There was a fair supply of well finished sheep penned. The majority of the offering however were plainer in condition, with large numbers of Merinos penned. The market for well finished sheep saw firm to slightly

dearer trends. Plain condition sheep again saw reduced restocker competition and as a result struggled at times to maintain last weeks' pricing levels. Sheer weight of numbers through the system putting pressure on the market. Skin values are supplied by skin merchants and may not reflect wool values on the longer skins depending on whether processors shear or fellmonger those skins.

## Weekly Wool Sales

**March 1st** - The tone set in the Western region at the end of last week carried over to the resumption of sales in the Eastern seaboard this week. Losses were experienced across the board on the opening day of sales however the mood shifted as the week progressed and gains were recorded on the final selling day. The 11 cent weekly fall in the indicator was the first downward movement since sales resumed in January. In a hopeful precursor to next week's market opening Fremantle selling after the East coast had closed posted solid gains. 44,846 bales were sold

nationally for the week with a passed in rate of 8.4%. Major buyers included Techwool, Seatech and Tianyu. AWTA test data released today is showing an 11.2% drop in the weight of wool tested nationally for the season to date. This is broadly in line with the Australian Wool Production Forecasting committees November estimate of an expected seasonal decline of 10.8%. Next week's national offering of 46,000 bales is once again significantly higher than first forecast with the following fortnight expected to dip below 40,000 bales per week.

## Armidale Cattle Sale

**February 28th** - The numbers increased to their highest level in 5 years. In a recurring theme, vealers and cows were offloaded in large numbers. Quality was very mixed, particularly in the yearlings. There were some very good quality vealers penned. Large numbers of very plain condition cows and limited supplies of well finished cattle in any category. There was reduced processor and feedlot competition. There was an increased presence of southern restocker and feedlot interests.

Market trends through the young cattle were cheaper, as feedlots reach capacity and restockers show caution. Steer vealers to restockers sold to cheaper trends of 20c to 40c/kg, with large price variations between breed and quality. The heifer portion followed a

similar trend and more in places. There was limited trade competition. A very mixed quality penning of yearling steers saw trends cheaper. The better quality lines were least affected, while secondary quality steers attracted limited demand. A small number of well finished yearling heifers to the trade sold to a slightly dearer trend. Heifers to restock and feed were cheaper.

The limited supply of grown steers suitable to processors averaged cheaper, with a reduction in quality. The cow market was much cheaper through all categories. Once again, processors at capacity and restockers limited somewhat by feed and water issues. Trends were 20c to 30c/kg cheaper and more in places. There was little change in the bull market.



## Men's Bowls

In Open Singles Barry Presnell defeated Ian Jacobs 31-25. Minor Singles John Hamel defeated Evan Sole 31-16 and Malcolm Walls defeated Wayne Reeves 31-16.

### Pennants

**No. 4s** to play Armidale Ex Services Saturday 1pm. **Team 1** – C Stanley, R Moore, B Presnell, A Sparke. **Team 2** – D Kennedy, C Kliendienst, I Jacobs, M Shiner. **Team 3** – J McIllwain, D Wilcox, M Bourke, R CoxCars to leave Guyra 11.45am cost \$5.

**No. 7s** to play Barraba at Barraba 1pm **Team 1** - S Campbell, B Stanley, B Campbell, J Hamel. **Team 2** – A Bull, P Johnson, M Walls, W Reeves. **Team 3** – S Sole, C Peardon, K Jones, R Walls Cars to be organised by Skips – cost \$10

Both sides to play Armidale City at Guyra on Sunday 10.30am. There will be a practice roll up Thursday 6pm.

*Vice President*

## Men's Golf

Last Saturday saw the first of the four Opal Cove diamond rounds, kindly sponsored by the House of Golf Coffs Harbour. The winner was Donna White on a countback from Nancy Prisk. Nearest to the pins were Vicki Reeves on the 9th and Donna White on the 10th.

Sunday's winner of the monthly mug was Mal Gaukroger with Pat Grills runner up. Nearest to the pins were Barry Simpson on the 7th with Mal Gaukroger taking the 10th and 18th.

Next Sunday will be the Guy Warskitt Memorial 4BBB stableford, followed by the Top of the Range golf weekend on the 15th, 16th and 17th of March. The time sheet is filling up fast names need to be in by the 8th.

*The Albatross*

## CRICKET SCOREBOARD Feb. 23rd - Mar. 2nd

### 1st Grade

**Guyra def. by City**

**City 1st Innings**

204 off 44 overs

**Guyra Bowling:**

Mitch Woods 3 for 30, Charlie White 0 for 34, Justin McKay 1 for 25, Matt Finlay 2 for 38, BJ Cameron 3 for 43 Jake Ellis 0 for 19, Ben Jackson 1 for 4 Shane Wolfenden 0 for 5

### Guyra 1st Innings

Shane Wolfenden.....	6
Mitchell Woods.....	7
BJ Cameron.....	0
Matt Finlay.....	43
Charlie White.....	2
Charlie Keen.....	15
Ben Jackson.....	15
Jason Campbell.....	4
Matt Jackson.....	4
Justin Mckay.....	0
Jake Ellis.....	not out.....3
Extras.....	1
<b>Total.....</b>	<b>101</b>
Overs.....	25.3

### 2nd grade (Feb. 23)

Easts 3/93

defeated Guyra 10/91

### 2nd grade (March 2nd)

Hillgrove 10/137

defeated Guyra 10/125

### City 2nd Innings

4/216 declared

**Guyra Bowling**

Tyson Burey 0 for 26, BJ Cameron 1 for 33, Matt Finlay 0 for 18, Mitch Woods 0 for 22, Justin McKay 1 for 29, Matt Jackson 0 for 11, Charlie Keen 0 for 20, Shane Wolfenden 2 for 39

### Guyra 2nd Innings

Mitchell Woods.....	0
BJ Cameron.....	4
Shane Wolfenden.....	9
Matt Finlay.....	18
D Landsborough.....	46
Charlie White.....	28
Charlie Keen.....	10
Matt Jackson.....	0
Jason Campbell.....	15
Justin Mckay.....	0
Tyson Burey.....	not out.....1
Extras.....	4
<b>Total.....</b>	<b>135</b>
Overs.....	31.5

### 3rd grade (Feb. 23)

Guyra 8/29

defeated by Hillgrove 1/31

### 3rd grade (March 2nd)

Easts (Anytime) 7/264 (cc)

defeated Guyra 10/130



**Adam Marshall** MP  
MEMBER FOR NORTHERN TABLELANDS

**Find me online:**  
[adamarshallmp](https://www.facebook.com/adammarshallmp)  
[@a\\_j\\_marshall](https://twitter.com/a_j_marshall)  
[adamarshallmp](https://www.instagram.com/adamarshallmp)

### Construction gets underway on \$13 million water pipeline

The Guyra Township's water woes will soon be in the past with construction of the \$13 million water pipeline from Malpas Dam to Guyra about to begin.

The new 15 kilometre pipeline and associated water treatment infrastructure at Guyra will permanently drought-proof the community and ensure continued growth in the region.

With low rainfall threatening to leave Guyra dry in recent years, it was clear that action had to be taken to allow the community to continue to grow and its substantial horticultural industry to expand.

Guyra uses an average 423 megalitres of water each year, with demand steadily increasing, which far exceeds the town's current storage capacity of 277 megalitres. The pipeline will expand that capacity to more than 740 megalitres, exceeding anticipated growth over the next 30 years.

Armidale Regional Council estimates the pipeline will be completed within six months, with further pump station and water treatment facility upgrade works to follow.

### New \$250 travel card for Northern Tablelands seniors

Life for senior citizens across the Northern Tablelands is about to get a little bit easier, with the introduction of a new \$250 Regional Seniors Transport Card.



*Northern Tablelands MP Adam Marshall, centre, ready to turn the first sod for the Malpas Dam to Guyra pipeline*

The card, which will be provided on an annual basis for two years, will be provided to aged pensioners and seniors with a Commonwealth Seniors Health Card and can be used for fuel and taxis in country NSW as well as pre-booked NSW TrainLink train and coach services.

Many people in the region are doing it tough, which is why the government has introduced a range of measures to ease the cost of living for seniors.

Travel is a significant household cost faced by those living across country NSW. With further distances to travel, country seniors rely more heavily on their cars, which means more fuel and more money.

Combined with the fact that many of our smaller and more remote communities have no access to any form of public transport - this card will be a huge help for thousands of seniors who rely solely on their own vehicle to get around.

The NSW Government also provides concession fares to seniors, including \$2.50 capped all-day travel with a Country Pensioner Excursion Ticket on NSW Trainlink Services and Regional Excursion Daily on Privately-operated local buses.

The \$250 Regional Seniors Transport Cards will begin being issued in January next year.

### Contact my office:

**Phone: 02 6772 5552 Fax: 02 6772 5026**

**Email:**

**northerntablelands@parliament.nsw.gov.au**

# Urgent call for players

The Super Spuds are putting out an urgent call to men's players to help keep the club on the field this year.

After a lacklustre turnout at training over the past three weeks and with only a month to go before the first game of the season against Tingha, the club has set itself a deadline of next Wednesday to find enough men's players to field a team in the competition.

If there are not enough players by then the club will once again have to fold and the future of senior rugby league in town will be in serious jeopardy just six months after winning the premiership.

There has been a good response from the female players but the club must field a men's team to stay afloat.

Training will be held tonight (Wednesday) from 6pm at the Sports Complex and all prospective players should be there.

Next Wednesday's training session could be the last unless more players are forthcoming.

If you would like to be a Super Spud please attend training, contact a member of the committee or message the club via Facebook.

Players are not required to pay a registration fee and receive a jersey, shirt, socks and polo shirt, as well as other benefits of being part of a proud old club.

# \$5000 in prizes up for grabs at Top of the Range carnival

The Top of the Range Golf Carnival will be held at the Guyra Golf Club from March 15th to 17th.

A 9 hole stableford Chicken Run will be held on the 15th with trays of chicken from U Goose up for grabs. Players can enter on the day from 2.30pm onward. Cost is \$15 per player, which includes mid-week fee if players are in the mid-week competition.

On Saturday there is an 18 hole 4BBB Par and there will be a 4BBB Stableford on Sunday which is open to men, ladies and mixed teams, with daily prizes.

There is over \$5000 in sponsorship on offer including two nights' accommodation at Opal Cove for the best male and female scores over the 36 holes.

Thank you to our sponsors Rabobank, Costa Group, Opal

Cove, TWM Armidale, Kelly's Transport, M & J Moffatt Groundspreading, Ray White Rural Guyra & Armidale, Williamson's Earthmoving, Tanglely Grazing Co, Jackson Pastoral Co, Guyra District Veterinary Services and Trent Jones Rural Contracting.

Entries close March 10th – further enquiries phone 0427 750 188.

# Season winding up for juniors

Saturday morning saw Guyra turn on the weather it is famous for, a cold wind accompanied by drizzle. However, nothing was going to stop the match between Guyra Under 12s and Uralla. Match captain Tom Lockyer unfortunately lost the toss however was happy when Uralla opted to field first.

Lincoln Brown and Emery Levy opened the batting, their patience and defence paid off as runs were steadily added to the score book. Brendon Landsborough was the top scoring batsmen on 21 not out followed by Tynan Bull 17 and Lincoln Brown 15 not out. Guyra continued to defend well and after their full 25 overs they were a promising 6/134.

Both teams were disappointed when their coaches re-

fused to stop play so they could grab an ice cream from the van doing the rounds, they all soon regrouped and play continued.

Uralla demonstrated their ability with the bat as one team member made 52 not out. Success with the ball was shared throughout the team with Tom Lockyer, Cameron Frost, Lincoln Brown and Brendon Landsborough all bowling out one batter. Jack Soraghan and Lincoln Brown got a run out each with Angus Dullaway getting a caught and bowled.

George Bradford took first watch as wicket keeper and towards the end he was really finding his feet with a couple of cracking catches which were disappointingly disallowed due to wides being bowled.

Uralla was 5/117 at the conclusion of the match. The win

keeps Guyra at equal first and in a promising position to make it to the Grand Final.

Thank you to Craig Lockyer for scoring, your assistance and experience has been greatly appreciated at both training and on game days. This Saturday will see Guyra play TAS/CSC in Armidale.

The under 14s struggled against ladder leaders CSC. CSC batted first and showed good form to finish at 4/140 off their allocated overs. In reply Guyra struggled and were all out for 61. They will be hoping for an improved performance in this weekend's round of games when they take on TAS. This will be their last game in the competition rounds as they have the bye in the final round.

## Guyra Cafe

### Now under new management

Braidie and Dan Vidler would like to thank Ben and Ash Mcfarlane for all their hard work, leadership, support and guidance during their time at the Guyra Cafe. Braidie and Dan will takeover as from Wednesday March 6th.

Everything else will stay the same!

### New Trading Hours

**Wednesday:** 6:30am-5pm **Thurs & Friday** 6:30am-7pm

**Saturday & Sunday** 8:30am-2:00pm

**Come in and check it out!**

Head on over and like our Facebook page!

Tradie, lunch & daily specials

We hope for your continued support and see you all in store soon.

## Veterans Golf

Tuesday February 26th was a perfect day for golf - not too hot, cold or windy. The Guyra Vets welcomed Veteran golfers from Yamba - so the Coatsies played The Highlanders.

The winning team was the Coasties with 276 Stableford Points. The Highlanders had 267. A close finish!! The Coasties have invited the Highlanders for a re-match in Yamba during the winter. The best scorer today was

Terry Varley with 41 points, closely followed by Dennis

Blackburn and Ian Taylor with 39. Nearest the pins were awarded to Larry McKenzie on the 7th and the 10th and Pat Grills was closest to the pin for his second shot on the 18th.

The veterans travelled down the hill to Uralla last Thursday for a Pennants game and this week hosted their Open Days on Monday and Tuesday.

Results next week.

*The vet*



# Classifieds Trades & Services

## LIVESTOCK

**GLENELLA WHITE SUFFOLKS**  
**Rams Available Now**  
Ready to work. **From \$500**  
Call Mitchell Woods 6779 2355

## MEETINGS

**GUYRA CENTRAL SCHOOL P & C** and Canteen sub-committee AGM Tuesday March 19th at 6pm in primary staff room. All welcome to attend.

**GUYRA RSL sub-Branch AGM** will be held on Monday, 25 March 2019 at 3.00pm at the Soldiers' Memorial Hall. All members, and those eligible to be members, are encouraged to attend.

**GUYRA ADULT LEARNING ASSOC. INC.** will hold its AGM on Thursday 28th March at 5.30pm at The GALA Centre.

## PUBLIC NOTICES

**GUYRA HISTORICAL MUSEUM** is open on Sundays 11am to 3pm. Enquiries 6779 2132.

## Guyra Cafe

Now under new management  
**Trading Hours**

**Wednesday:** 6:30am-5:00pm

**Thursday & Friday**  
6:30am-7:00pm

**Saturday & Sunday**  
8:30am-2:00pm

## DEATH NOTICE

**ARCHIBALD, Nancy Doreen**  
**28<sup>th</sup> February 2019**  
**Aged 85 years**

Late of Park Avenue, Guyra. Beloved wife of Jeff (deceased), loving mother and mother-in-law of Diane & Garry, Peter & Kay, Michael & Vicky, Errol & Beth, Lynnie & Tony and Lindsay & Anne, and a much loved grandmother, great grandmother, great great grandmother, sister & aunty.

*Horner Family Funerals*

Glen Innes - phone: 6732 5911  
FDA of NSW 12029-01

## TONY WALL

Passed away peacefully, aged 70, on Monday, 25th February, 2019 at Bathurst after a short time battle with cancer.

Tony is survived by his wife Christine, daughters Kristy and Colleen, grandsons Jack and Will, brother Tim, sisters Anne Thrift and Jeanette Cavanagh.

## CLAIM THE DATE

**MARCH 13th Healthy Kids Happy Kids Day** at the Guyra Library. Two sessions 10am and 12noon.

**APRIL 14th GUYRA CUP** at Armidale Racecourse.

## TRADES & SERVICES

## WOOL BUYER SARAH TAYLOR

BUYING ON FARM AND IN-STORE

### WOOL STORE

**Open Mon - Friday**  
2 Lagoon Street GUYRA  
**8:00am - 4:30pm**

**Sarah Taylor in-store**  
**Wednesdays**  
**8:00am - 4:30pm**

### OR CALL FOR AN APPOINTMENT

M 0419 647 422



00034-1901

woolnetwork.com.au

## Electrical Contractors

Essential Energy Level 2 Contractors

- Reverse Cycle Air/Con
- Slab Heating • TV Aerial Repairs
- Household & Stock Pumps • Generators

**Commercial**  
**Domestic**

**Industrial**  
**Rural**

**CT Electric** Phone: **6779 1273**

101 Bradley Street, Guyra

**A/H: 6779 1463 or 0427 791 273**

## HUTTON'S CARPET CLEANING

Deep carpet cleaning  
Tile & Grout cleaning  
Lounges, chairs, rugs, car seats & carpet  
Remove pet hair  
Sanitising & deodorising your carpet as we go  
Kills dust mites & fleas

**High powered machine**  
**No hot water or electricity needed**



Call Phil for a FREE Quote  
**0427 246 161**

## NRL Gazette Footy Tipping

Welcome to the Gazette's 2019 Footy Tipping competition.

We welcome our locals who would like to participate and for you the prizes this year will be: First \$100.00, Second \$50.00 and the Wooden Spoon \$20.00.

Our Celebrity Footy Tipsters will be announced next week.

Good luck and have some fun!

**Name:** .....  
(Not for publication)

**Nom de Plume:** .....  
(For publication in the Locals Leaderboard)

**Phone:** .....

## Locals Entry Form - Round 1

Tips must be submitted by 4.00pm on **Tuesday 12<sup>th</sup> March**

Storm	vs	Broncos
Knights	vs	Sharks
Roosters	vs	Rabbits
Warriors	vs	Bulldogs
Tigers	vs	Sea Eagles
Cowboys	vs	Dragons
Panthers	vs	Eels
Titans	vs	Raiders

# Lady Golfers Open Day

On Wednesday 27th February 2019 Guyra welcomed 58 golfers from the New England and North West who competed in the 18 holes 4BBB Stableford event on our annual Open Day for lady golfers,

Winners were the outstanding combination of Amanda Carr and Lyn Campbell (Armidale) who carded 48 Stableford points

while Joyce Betts and Nancy Prisk (Guyra) were runners up with 47 points.

Sisters Cheryl Martin and Donna Martin (Walcha) won the 18 holes Scratch score with 27 points while Karen Oehlers and Shona Mulligan were the runners up with 32 points. Marie Moule and Margaret Curr (Deepwater) won holes 1-9 and S. Sweeney and V. Szpitalak

(Walcha) won holes 10-18. Nearest the pins were awarded to K. Oehlers (7th), S. Urquhart (9th), T. Wright (10th) and R. Robinson (18th).

We wish to sincerely thank sponsors for day: Regional Australia Bank, CT Electric, Leading Edge Appliances Glen Innes, Meg Simpson and Karen Oehlers.

*The Phantom*

# Successful President's Day for lady bowlers

On Tuesday February 26th, Guyra's lady bowlers held a very successful President's Day.

The club hosted 84 players from Tenterfield, Inverell, Glen Innes, Delungra, Kootingal, Walcha, Uralla, Armidale Ex-Services, Armidale City, Guyra, Bendemeer and Bingara.

Players were greeted by President Laurel Betts, with morning tea served, before some very enjoyable bowls was played. Lunch and presentations finished off a great day.

The club is looking for more players to join them and will hold a 'Come and Try' day soon for anybody who may be interested in playing bowls.



**Above:** Winners Amanda Carr and Lyn Campbell (Armidale)  
**Right:** Scratch winners Cheryl & Donna Martin (Walcha) with Shona Mulligan



[eldersrealestate.com.au](http://eldersrealestate.com.au)

*Elders*

'MOUNT VIEW' Guyra, NSW | 262 HA / 647 AC



## Location, rainfall and opportunity in New England

- Located 28 kms East of Guyra, 67 kms from Armidale
- Being sold as a whole but already subdivided into a 49 HA block and a 213 HA block (647 acres total)
- Loamy granite soils offering a balance of arable, open grazing and shelter country
- 9 stock paddocks, 18 spring fed dams, 900mm rainfall
- Solid 4 bedroom brick home with an office, separate dining, formal lounge, north facing sun room and a double garage
- 3 stand shearing shed with an attached weather shed

- Steel sheep yards with a race, loading ramp and undercover handling area
  - 2 x machinery sheds, 2 x 25 ton silos, 125,000L fresh water tanks, professional workshop and a range of garden sheds.
- 'Mount View' is the ideal property for an aspiring New England grazier boasting fertile soils, high rainfall, reliable stock water and a range of included infrastructure necessary to run a quality operation. Alternatively, 'Mount View' will suit anyone looking to expand their interest in the New England.

## Auction

**Date** Friday 22nd March, 11:00am  
**Venue** Country Comfort Motel, Armidale  
**Inspection** by appointment  
**Dan Fittler 0402 942 231**  
Daniel.Fittler@elders.com.au  
**Frank Spilsbury 0427 010 386**  
Frank.Spilsbury@elders.com.au  
[eldersrealestate.com.au/20427821](http://eldersrealestate.com.au/20427821)

Elders New England, 97-101 Faulkner Street, Armidale, NSW

PH (02) 6775 4500